



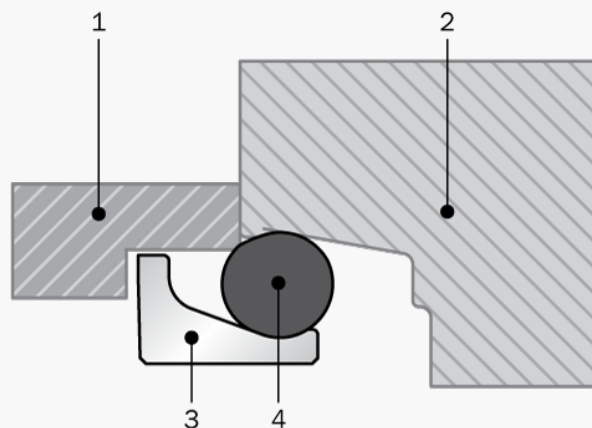
## INSTALLATION GUIDE

# Mechanical Face Seal

### Standard Installation Method

Mechanical Face Seal must be installed with great care. Damage to the precision lapped seal faces must be avoided at all costs. The installation location must be kept free from dust and dirt.

- Remove the seal from its packing only immediately before installation.
- Do not stand the seal on the lapped surface.
- Coat the seal face with a thin film of oil using clean oil and a lint-free cloth, e.g. chamois leather.
- Check that the housing is free of nick or burr on installation radii.
- Check if O-Ring or washer is properly placed back on the seal. The O-Ring must be seated in the outer radius (Type DO) inside the retaining lip
- Make sure that the O-Ring is not twisted. A twisted O-Ring may cause a looped effect.
- Installation, particularly of large O-Rings, requires a great deal of force. We recommend that the O-Ring be coated with lubricant (soapy water, water/spirits mixture or an oil film) before installation.
- Assemble the two halves of the seal in the housing by using an installation tool (Figure below). Center the O-Ring in the housing. Use two hands on the tool to press the seal into the housing with a firm push.
- Check if the tool is touching the housing all around the circumference.
- Remove the tool and make a visual check for position of O-Ring and seal. Make sure that everything is seated symmetrically.
- Clean both seal faces with denatured alcohol and apply a thin film of clean oil to the faces.
- Tilt the two parts together bringing the slide faces carefully into contact.
- Adjust the gap S
- Fill the housing with oil and bleed, if necessary.



1= Installation Tool  
3= Metal Ring

2= Seat  
4= Elastomeric Ring

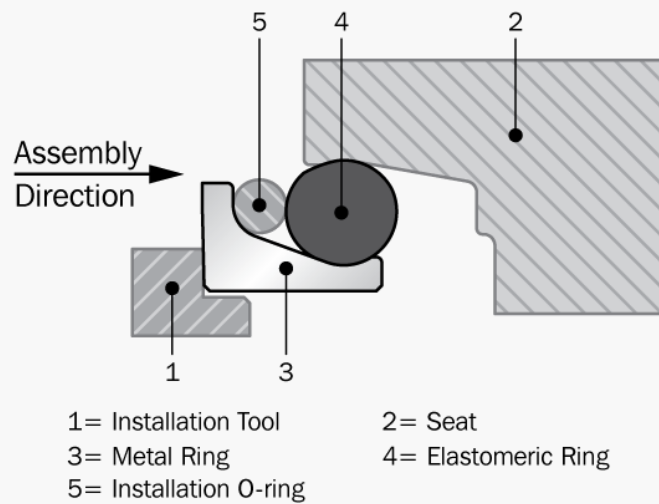


## INSTALLATION GUIDE

# Mechanical Face Seal

### Alternate Method - Installation O-Ring

In the event that the installation tool cannot be withdrawn or where the seal is of a special design, an installation O-Ring can be used. The installation O-Ring is placed between the O-Ring of the seal and rear of the ramp on the Seal Ring. As force is applied to the Seal Ring during installation, the installation O-Ring backs up the O-Ring and will not allow it to roll up the ramp. After installation the O-Ring is easily removed (see figure below).



### Important Note

Installation suggestions, material recommendations, parameters and further data provided are always subject to the particular field of use and the application in which the seal is intended to be used, in particular the interaction of the seal with other components of the application. Therefore they neither constitute an agreement on the legal and factual nature nor a guarantee of quality. Technical changes and errors remain reserved.