



TECHNICAL INFORMATION

Scrapers | Turcon® Excluder® 5

Description

Turcon® Excluder® 5 is a patented, double-acting scraper with scraper lip respectively sealing lip, positioned back-to-back. The scraper is installed with an O-ring groove as elastic energizing element in one groove. The scraper function is performed by the Excluder® 5 Turcon® element. The o-ring maintains the pressure of the scraper lips against the sliding surface and can compensate deflections of the piston rod.

Excluder® 5 has two functions:

- Scrape contaminants from the retracting piston rod to protect the system from soiling
 - Hold back the residual oil film on the extending piston rod on the medium side.
- In comparison to Excluder® 2, they are used particularly for heavy-duty applications such as in construction machinery, presses, etc.

Advantages

- Outstanding sliding properties
- Stick-slip free, no sticking
- Tough scraper for heavy-duty operation
- Can compensate for deflections of the piston rod or plunger
- Very good scraping effect even against firmly adhered dirt, etc.
- Very good scraper effect from the inside against the residual oil film adhering to the surface of the piston rod
- Very high resistance to hydraulic media
- ISO 6195 Type D installation dimensions from diameter 40 mm



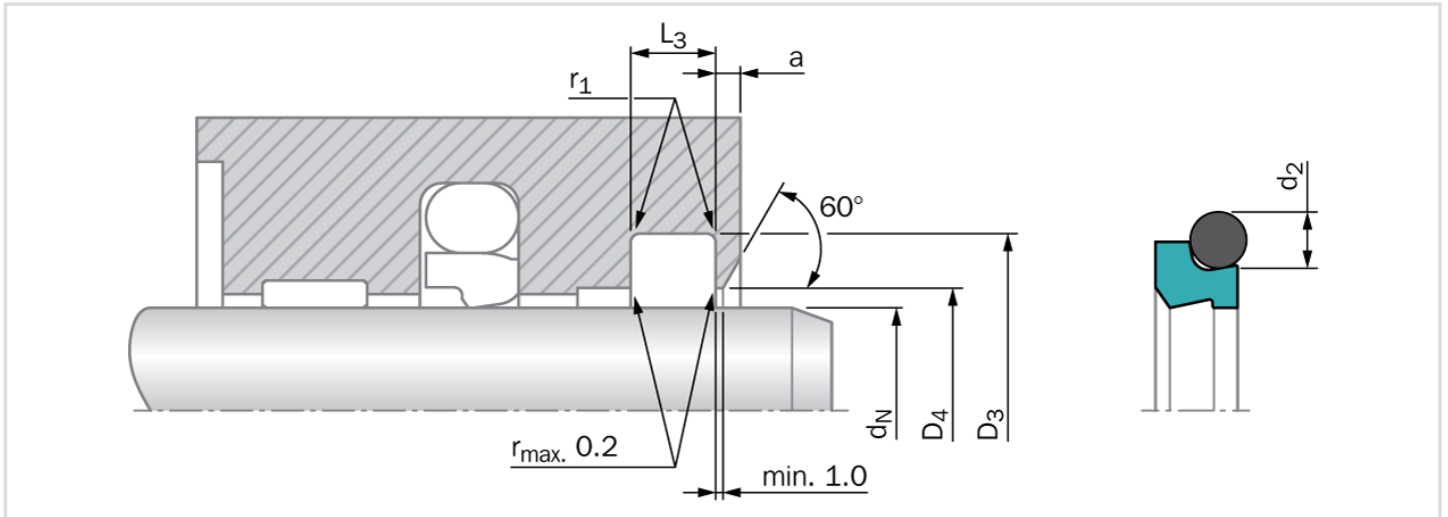
Technical Data

Speed	: Up to 15 m/s
Temperature	: -30 °C to +200 °C
Media	: Mineral oil-based hydraulic fluids, flame-retardant hydraulic fluids, environmentally friendly hydraulic fluids (bio-oils), phosphate ester, water, air, and others, depending on the scraper and O-ring material compatibility



TECHNICAL INFORMATION

Scrapers | Turcon® Excluder® 5



Installation dimensions - Standard recommendations

Series No.	Rod Diameter d_N f8/h9		Groove Diameter	Groove Width	Bore Diameter	Step Width	Radius	O-Ring Cross Section
	Standard Application	Available Range	D_3 H9	$L_3 +0.2/-0.0$	D_4 H11	a_{min}	$r_{1\ max}$	d_2
WE50	19 - 39.9	19 - 100.0	$d_N + 7.6$	4.2	$d_N + 1.5$	3.0	0.8	2.62
WE51	40 - 69.9	30 - 200.0	$d_N + 8.8$	6.3	$d_N + 1.5$	3.0	1.0	2.62
WE52	70 - 139.9	50 - 360.0	$d_N + 12.2$	8.1	$d_N + 2.0$	4.0	1.0	3.53
WE53	140 - 399.9	100 - 650.0	$d_N + 16.0$	9.5	$d_N + 2.5$	5.0	1.5	5.33
WE54	400 - 649.9	200 - 650.0	$d_N + 24.0$	14.0	$d_N + 2.5$	8.0	1.5	7.00
WE55	650 - 999.9	400 - 999.9	$d_N + 27.3$	16.0	$d_N + 2.5$	10.0	2.0	8.40
WE55X	1000 - 2600		$d_N + 27.3$	16.0	$d_N + 2.5$	10.0	2.0	8.40

Important Note

Installation suggestions, material recommendations, parameters and further data provided are always subject to the particular field of use and the application in which the seal is intended to be used, in particular the interaction of the seal with other components of the application. Therefore they neither constitute an agreement on the legal and factual nature nor a guarantee of quality. Technical changes and errors remain reserved.