



## TECHNICAL INFORMATION

# Scrapers | Zurcon® Scraper ASW

### Description

The scraper ASW is a single-acting polyurethane scraper.

The special feature of this scraper is an additional supporting bead on the inner surface. It prevents tilting or twisting of the scraper in the groove. At the same time this support improves

the firm seating in the groove, thus preventing the penetration of impurities via the back of the scraper. This represents a technical improvement compared with similar scraper types.

### Advantages

- Simple groove design
- Very good scraping effect, wear resistant
- No tilting or twisting in the groove
- Simple installation
- Flush fitting with the outer surface



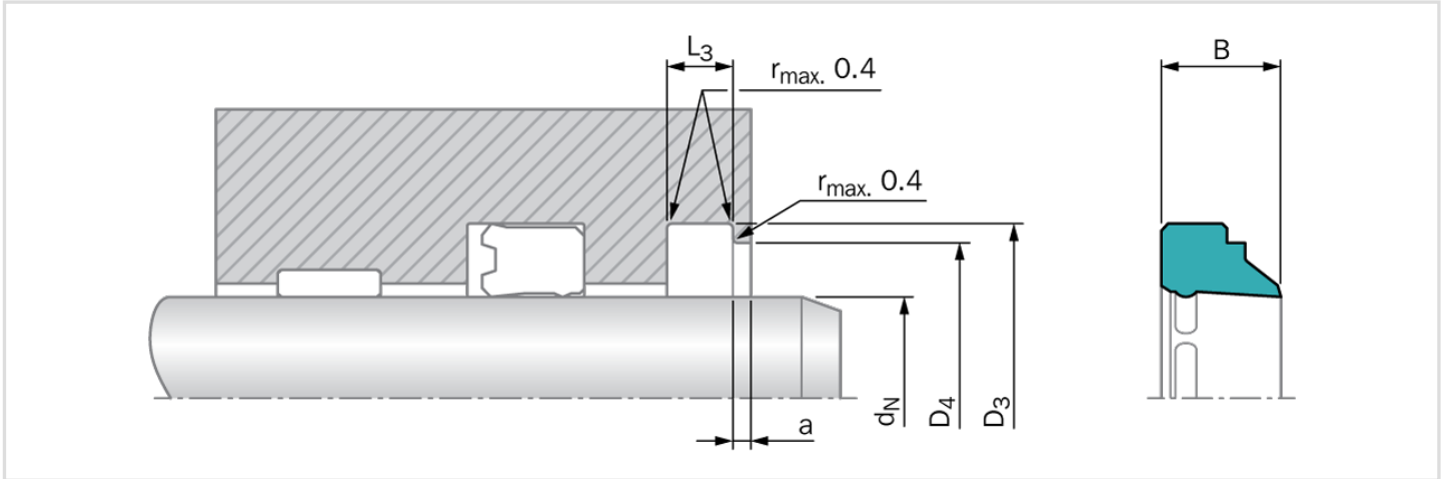
### Technical Data

Speed	: Up to 1 m/s
Temperature	: -35 °C to +100 °C
Media	: Mineral oil-based hydraulic fluids



## TECHNICAL INFORMATION

### Scrapers | Zurcon® Scraper ASW



#### Important Note

Installation suggestions, material recommendations, parameters and further data provided are always subject to the particular field of use and the application in which the seal is intended to be used, in particular the interaction of the seal with other components of the application. Therefore they neither constitute an agreement on the legal and factual nature nor a guarantee of quality. Technical changes and errors remain reserved.