



## TECHNICAL INFORMATION

# Scrapers | Zurcon® Scraper DA 22

### Description

The Zurcon® Scraper DA 22 is a double-acting polyurethane wiper for closed groove installation. Significant improvements are achieved regarding the profile geometry and material used if compared with conventional elastomeric scrapers. The scraper lip is designed in a particular way that it reliably scrapes off the dirt but leaves a residual oil film on the rod, which is

required for correct operation. The radial squeeze is sufficient to remove particles, dust and water.

The scraping lip facing inwards is designed in a way that it assumes a sealing function even under low pressure. The static seal is achieved by a tight radial fit between the scraper body and the groove.

### Advantages

- Good scraping effect
- Wear resistant, long service life
- Retaining residual oil film
- Standard elements for standardized installation grooves



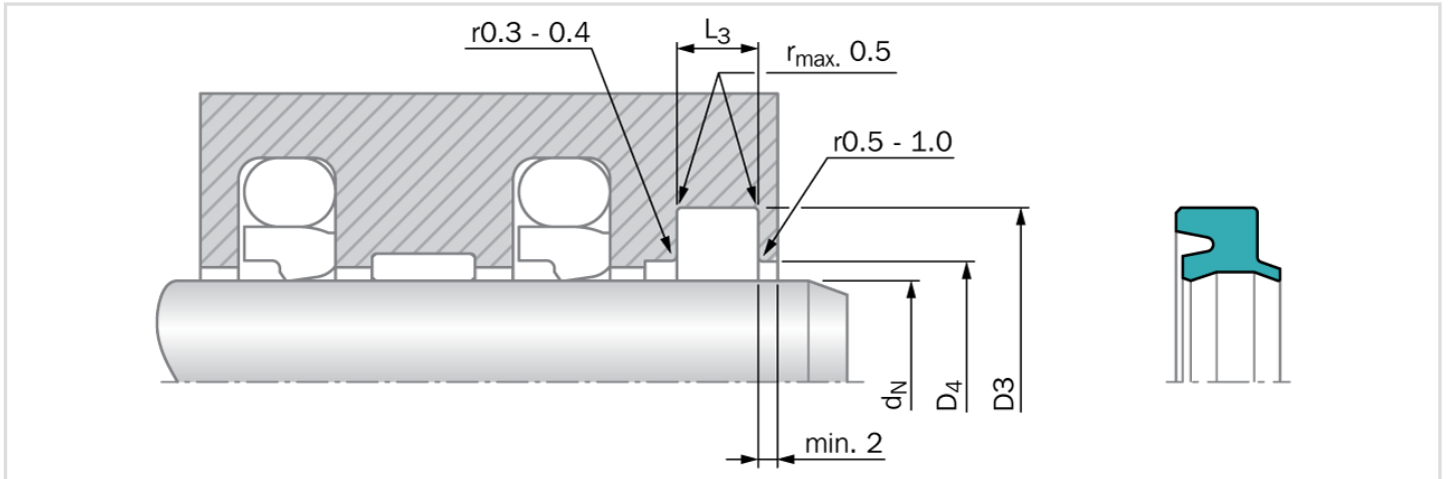
### Technical Data

Speed	: Up to 1 m/s
Temperature	: -35 °C to +100 °C
Media	: Mineral oils and greases



## TECHNICAL INFORMATION

### Scrapers | Zurcon® Scraper DA 22



#### Important Note

Installation suggestions, material recommendations, parameters and further data provided are always subject to the particular field of use and the application in which the seal is intended to be used, in particular the interaction of the seal with other components of the application. Therefore they neither constitute an agreement on the legal and factual nature nor a guarantee of quality. Technical changes and errors remain reserved.