



TECHNICAL INFORMATION

Scrapers | Scraper WSA

Description

The Scraper WSA is a mold-vulcanized single-acting elastomer scraper with integral metal reinforcement for open groove assembly in conjunction with the oversized scraper, an exact fit is obtained in the housing.

The Scraper WSA is a single-acting rubber scraper bonded to a metal case. This is a very popular design offering simple installation, while at the same time ensuring a very tight fit in the

groove. The metal case is slightly oversized compared to the bore it is designed to fit into, therefore this seal can only be pressed into an open groove and no lip is required to retain it. As a single-acting scraper, this seal can be used with a variety of other primary and secondary sealing products, including double-acting rod seals.

Advantages

- Space-saving construction
- Low cost, economical solution
- Simple, easy-construction groove
- Effective sealing effect even with sub-optimal mating surface finish



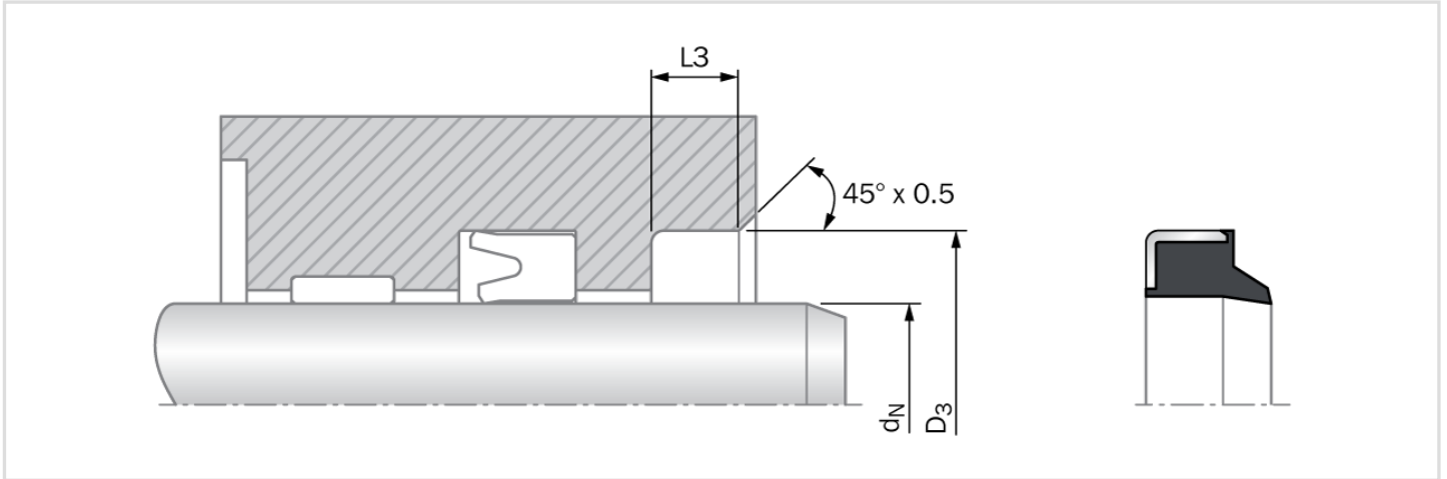
Technical Data

Speed	: Up to 0.5 m/s
Temperature	: -30 °C to +110 °C
Media	: Mineral oil based hydraulic fluids



TECHNICAL INFORMATION

Scrapers | Scraper WSA



Important Note

Installation suggestions, material recommendations, parameters and further data provided are always subject to the particular field of use and the application in which the seal is intended to be used, in particular the interaction of the seal with other components of the application. Therefore they neither constitute an agreement on the legal and factual nature nor a guarantee of quality. Technical changes and errors remain reserved.