



TECHNICAL INFORMATION

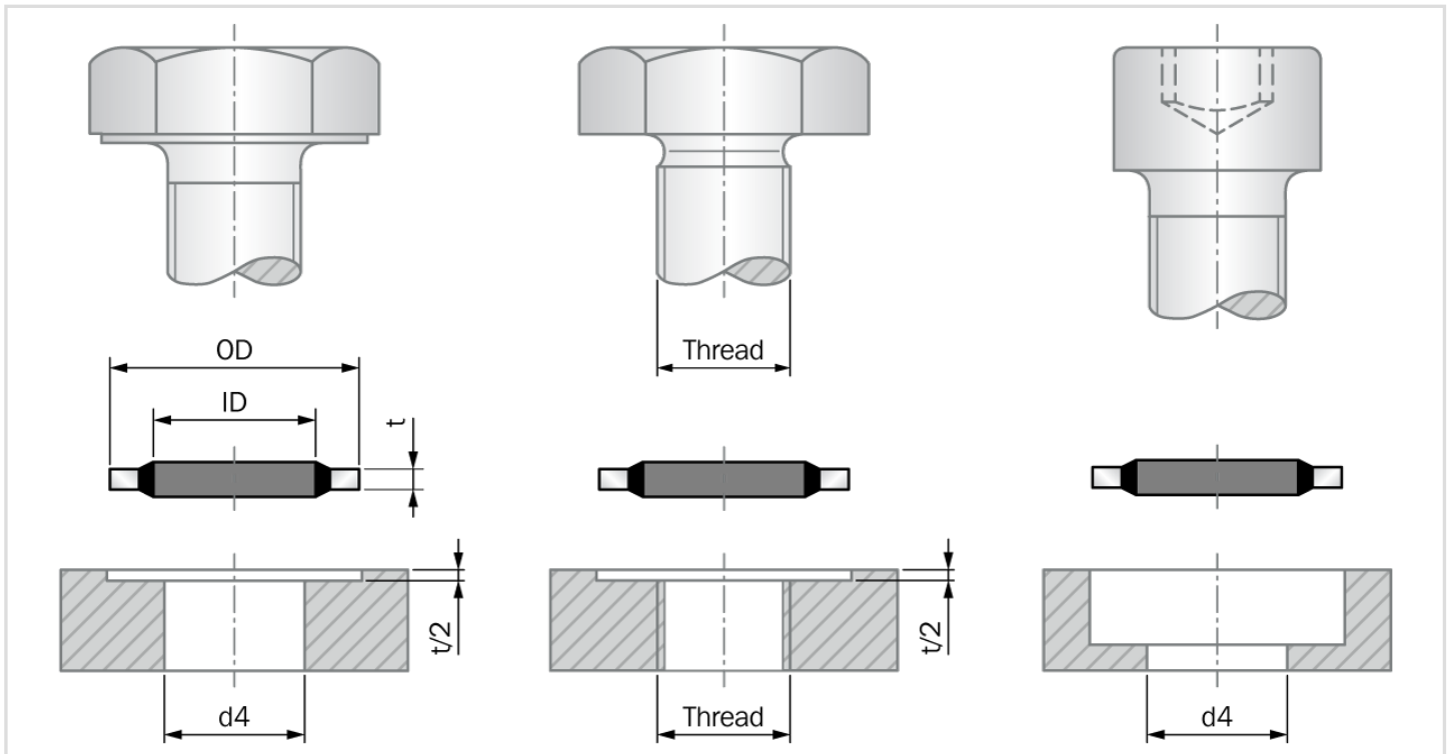
Static Seals | Bonded Seals GM500 metric dimensions thread

Description

These are sealing discs that seal threads and flange joints. The discs consist of a metallic ring and a rubber sealing pad bonded together. Available in metric and inch dimensions.

Technical Data

Ø Range : M3 - M36
 Static Pressure : 100 MPa
 Temperature : -30 °C to +100 °C



Important Note

Installation suggestions, material recommendations, parameters and further data provided are always subject to the particular field of use and the application in which the seal is intended to be used, in particular the interaction of the seal with other components of the application. Therefore they neither constitute an agreement on the legal and factual nature nor a guarantee of quality. Technical changes and errors remain reserved.